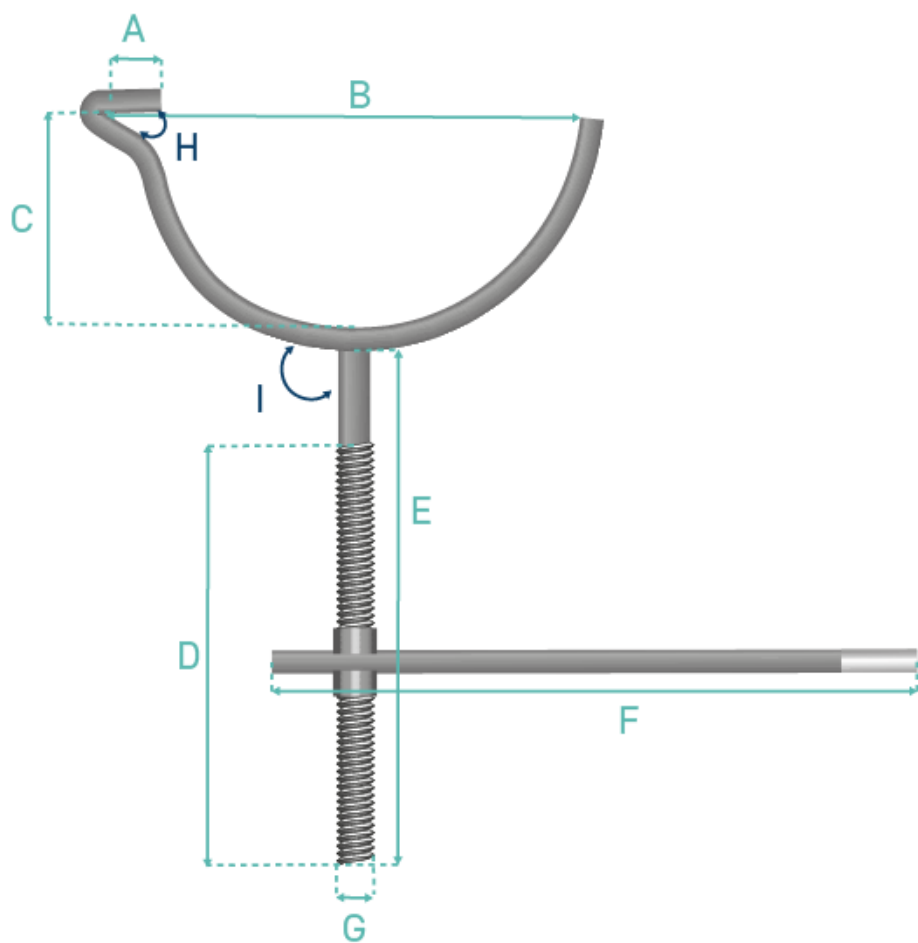


Bespoke Part Template

HR R&F Beaded Bracket

Quotation will be provided within 2 working days.
Bespoke parts are subject to minimum order value.

Half Round Rise and Fall Beaded Brackets are used for beaded half round guttering. Rise and Fall Brackets are attached to a wall using a spike driven into the mortar. These brackets are adjustable using the thread and nuts.



A _____ mm
 B _____ mm
 C _____ mm
 D _____ mm
 E _____ mm
 F _____ mm
 G _____ mm
 H _____ °
 I _____ °

FINISH

- Aluminium
- Bright Zinc plated
- Galvanised
- Electrophoretic coated
- Nylon coated
- Powder coated

ADDITIONAL NOTES

QUANTITY _____

SIGNATURE _____

DATE _____

PowellGee
A TIBBETTS COMPANY

We work to the measurements provided above, but please allow a small tolerance as these items are handmade. Sold in box quantities which are subject to +/-10%.