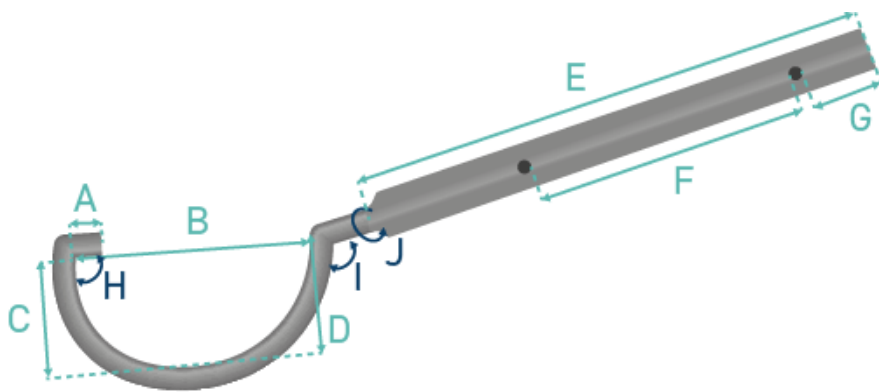


# Bespoke Part Template

## HR Side Fix Bracket

Quotation will be provided within 2 working days.  
Bespoke parts are subject to minimum order value.

**Half Round Side Fix Brackets** are used for traditional half round guttering. Side Fix Brackets are generally used on properties where there is no fascia board at the eaves. They are screwed to the side of the rafters after the roof is complete. Therefore, they are ideal for maintenance work as they can be installed with the roof in place.



- A \_\_\_\_\_ mm
- B \_\_\_\_\_ mm
- C \_\_\_\_\_ mm
- D \_\_\_\_\_ mm
- E \_\_\_\_\_ mm
- F \_\_\_\_\_ mm
- G \_\_\_\_\_ mm
- H \_\_\_\_\_ °
- I \_\_\_\_\_ °
- J \_\_\_\_\_ °

ADDITIONAL NOTES

QUANTITY \_\_\_\_\_

SIGNATURE \_\_\_\_\_

DATE \_\_\_\_\_

### FINISH

- Aluminium
- Bright Zinc plated
- Galvanised
- Electrophoretic coated
- Nylon coated
- Powder coated

**PowellGee**  
A TIBBETTS COMPANY