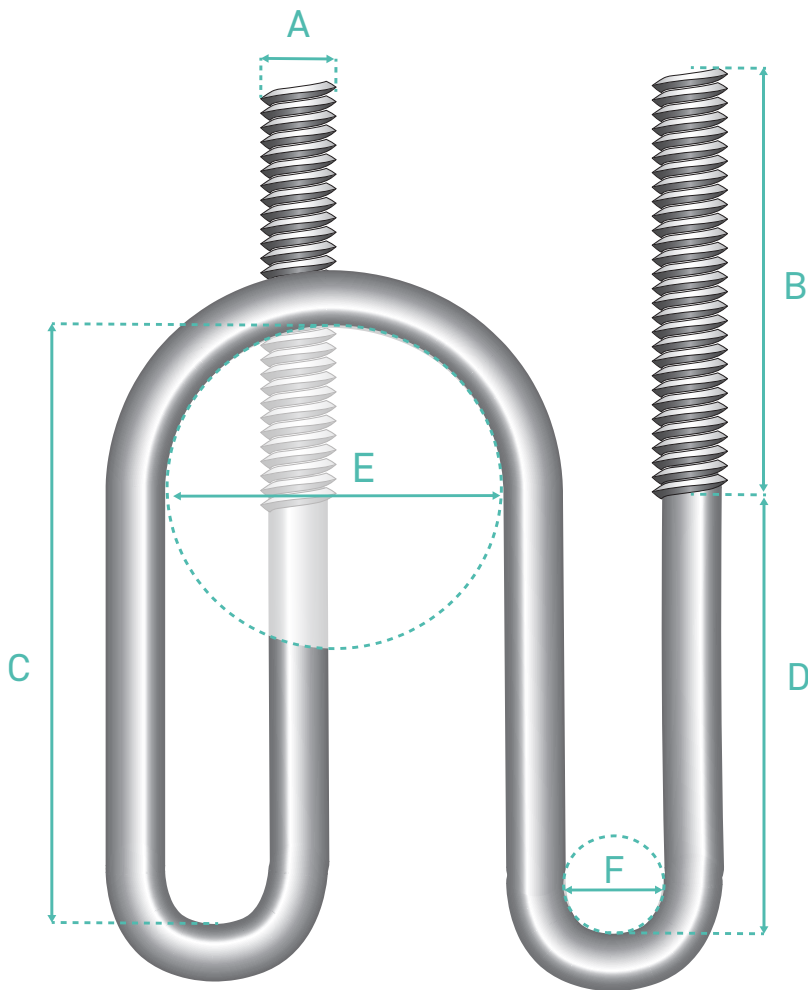


# Bespoke Part Template

## Double U Bolt

Quotation will be provided within 2 working days.  
 Bespoke parts are subject to minimum order value.

**Double U Bolts** are used to hold 2 pipes or tubular purlins together when crossing each other.



A \_\_\_\_\_ mm

B \_\_\_\_\_ mm

C \_\_\_\_\_ mm

D \_\_\_\_\_ mm

E \_\_\_\_\_ mm

F \_\_\_\_\_ mm

### FINISH

- Zinc & Yellow Mild Steel
- Bright Zinc Mild Steel
- Galvanised Mild Steel
- Geomet Mild Steel
- Passivated Stainless Steel A2
- Passivated Stainless Steel A4

QUANTITY \_\_\_\_\_

ADDITIONAL NOTES

SIGNATURE \_\_\_\_\_

DATE \_\_\_\_\_

Standard nuts are included  
 in bags of 100