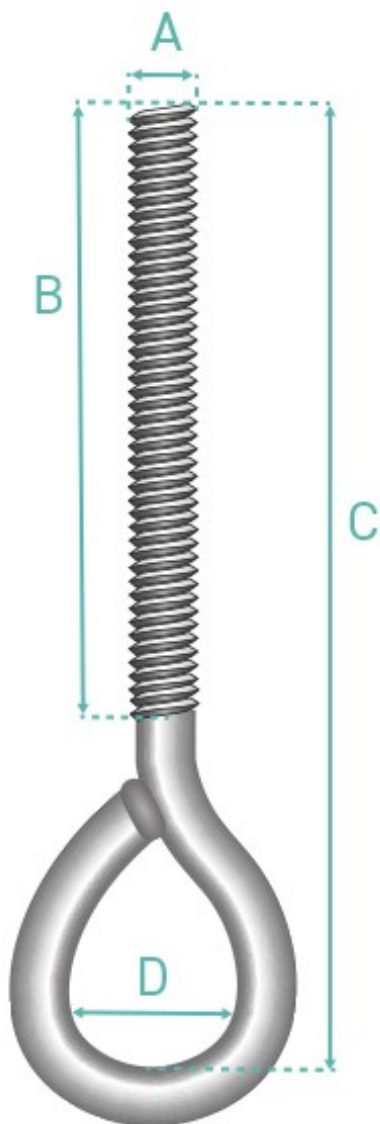


# Bespoke Part Template

## Eye Bolt

Quotation will be provided within 2 working days.  
Bespoke parts are subject to minimum order value.

**Eye Bolts** are usually used to support wire fencing and they are mostly fixed into timber and masonry. These bolts are also ideal for tension and non-critical suspension applications.



Standard nuts are included  
in bags of 100

A \_\_\_\_\_ mm

B \_\_\_\_\_ mm

C \_\_\_\_\_ mm

D \_\_\_\_\_ mm

### FINISH

- Zinc & Yellow Mild Steel
- Bright Zinc Mild Steel
- Galvanised Mild Steel
- Geomet Mild Steel
- Passivated Stainless Steel A2
- Passivated Stainless Steel A4

QUANTITY \_\_\_\_\_

### ADDITIONAL NOTES

SIGNATURE \_\_\_\_\_

DATE \_\_\_\_\_

We work to the measurements provided above, but please allow a small tolerance as these items are handmade. Sold in box quantities which are subject to +/-10%.