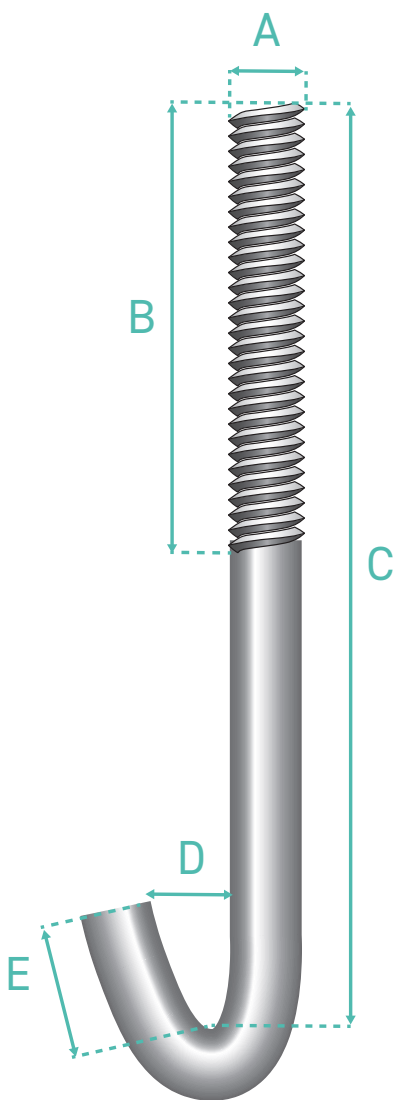


# Bespoke Part Template

## Hook Bolt

Quotation will be provided within 2 working days.  
Bespoke parts are subject to minimum order value.

**Hook Bolts** are used in the roofing industry for fixing cladding and roofing panels to steel frames. These bolts are ideal for roofing as the hook side is not required to be accessed when the fastener is being tightened.



Standard nuts are included  
in bags of 100

A \_\_\_\_\_ mm

B \_\_\_\_\_ mm

C \_\_\_\_\_ mm

D \_\_\_\_\_ mm

E \_\_\_\_\_ mm

### FINISH

- Zinc & Yellow Mild Steel
- Bright Zinc Mild Steel
- Galvanised Mild Steel
- Geomet Mild Steel
- Passivated Stainless Steel A2
- Passivated Stainless Steel A4

QUANTITY \_\_\_\_\_

### ADDITIONAL NOTES

SIGNATURE \_\_\_\_\_

DATE \_\_\_\_\_

We work to the measurements provided above, but please allow a small tolerance as these items are handmade. Sold in box quantities which are subject to +/-10%.