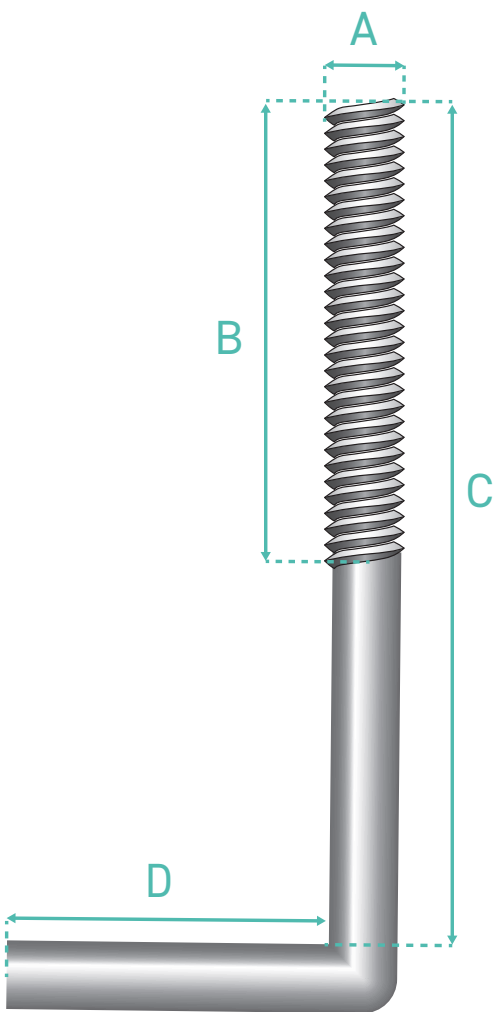


# Bespoke Part Template

## L Bolt

Quotation will be provided within 2 working days.  
Bespoke parts are subject to minimum order value.

**L Bolts** are the same as square bends, without the upturn. They are often used to attach a plate member to concrete foundation, provide anchorage for lightweight post bases, and for general anchorage to concrete.



A \_\_\_\_\_ mm

B \_\_\_\_\_ mm

C \_\_\_\_\_ mm

D \_\_\_\_\_ mm

### FINISH

- Zinc & Yellow Mild Steel
- Bright Zinc Mild Steel
- Galvanised Mild Steel
- Geomet Mild Steel
- Passivated Stainless Steel A2
- Passivated Stainless Steel A4

QUANTITY \_\_\_\_\_

### ADDITIONAL NOTES

SIGNATURE \_\_\_\_\_

DATE \_\_\_\_\_

Standard nuts are included  
in bags of 100