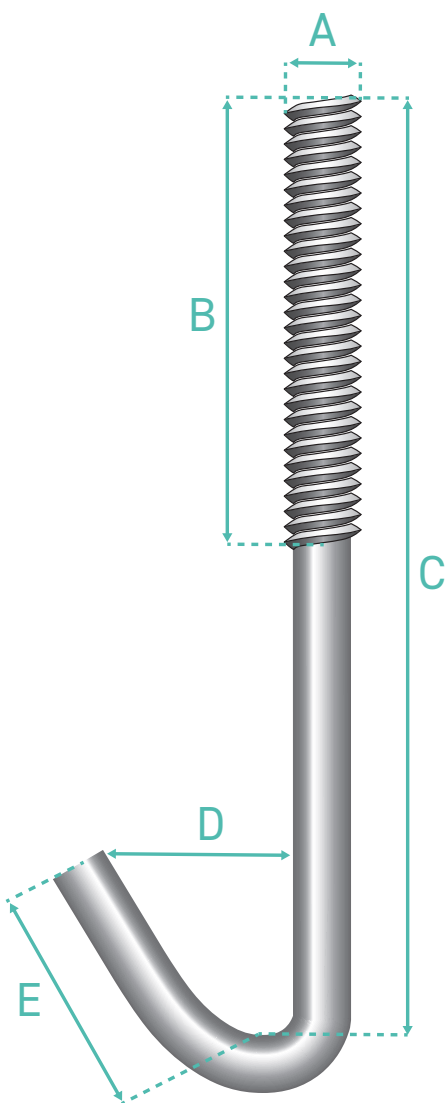


Bespoke Part Template

Open Jaw Hook Bolt

Quotation will be provided within 2 working days.
 Bespoke parts are subject to minimum order value.

Open Jaw Hook Bolts usually fasten sheets to steel or concrete purlins. These bolts are ideal for roofing as the hook side is not required to be accessed when the fastener is being tightened.



Standard nuts are included
 in bags of 100

A _____ mm

B _____ mm

C _____ mm

D _____ mm

E _____ mm

FINISH

- Zinc & Yellow Mild Steel
- Bright Zinc Mild Steel
- Galvanised Mild Steel
- Geomet Mild Steel
- Passivated Stainless Steel A2
- Passivated Stainless Steel A4

QUANTITY _____

ADDITIONAL NOTES

SIGNATURE _____

DATE _____