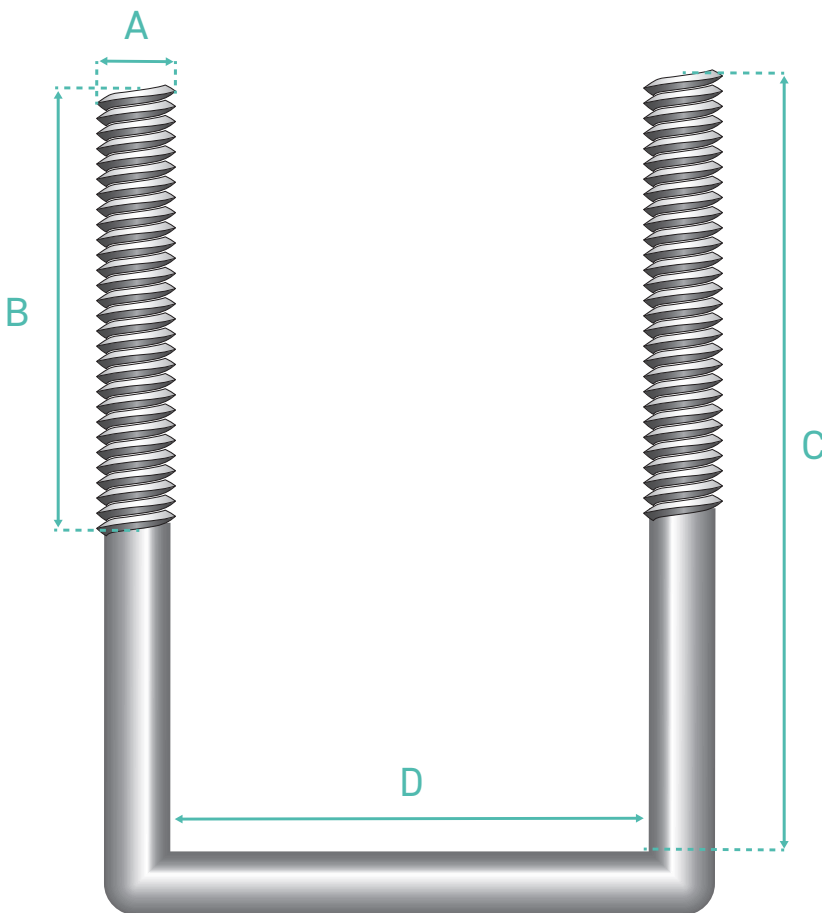


Bespoke Part Template

Square Based U Bolt

Quotation will be provided within 2 working days.
Bespoke parts are subject to minimum order value.

Square Based U Bolts fix an item to a box section structure. They also clamp square or rectangular items. Typically, they are used within the suspension of metal channels and duct work, embedded in concrete as anchor bolts or used to secure heavy equipment.



Standard nuts are included
in bags of 100

A _____ mm

B _____ mm

C _____ mm

D _____ mm

FINISH

- Zinc & Yellow Mild Steel
- Bright Zinc Mild Steel
- Galvanised Mild Steel
- Geomet Mild Steel
- Passivated Stainless Steel A2
- Passivated Stainless Steel A4

QUANTITY _____

ADDITIONAL NOTES

SIGNATURE _____

DATE _____