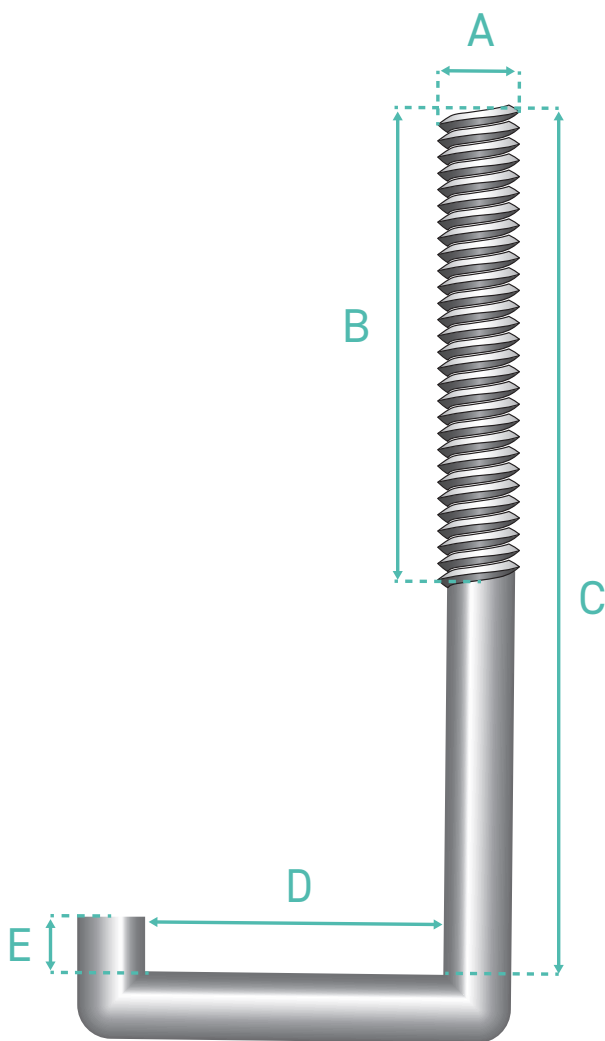


# Bespoke Part Template

## Square Bend

Quotation will be provided within 2 working days.  
 Bespoke parts are subject to minimum order value.

**Square Bends** usually fasten sheets to square concrete purlins, steel channels or beams. The squared hook is used in concrete foundations often as a cast-in-place anchor.



Standard nuts are included  
 in bags of 100

A \_\_\_\_\_ mm

B \_\_\_\_\_ mm

C \_\_\_\_\_ mm

D \_\_\_\_\_ mm

E \_\_\_\_\_ mm

### FINISH

- Zinc & Yellow Mild Steel
- Bright Zinc Mild Steel
- Galvanised Mild Steel
- Geomet Mild Steel
- Passivated Stainless Steel A2
- Passivated Stainless Steel A4

QUANTITY \_\_\_\_\_

ADDITIONAL NOTES

SIGNATURE \_\_\_\_\_

DATE \_\_\_\_\_

We work to the measurements provided above, but please allow a small tolerance as these items are handmade. Sold in box quantities which are subject to +/-10%.