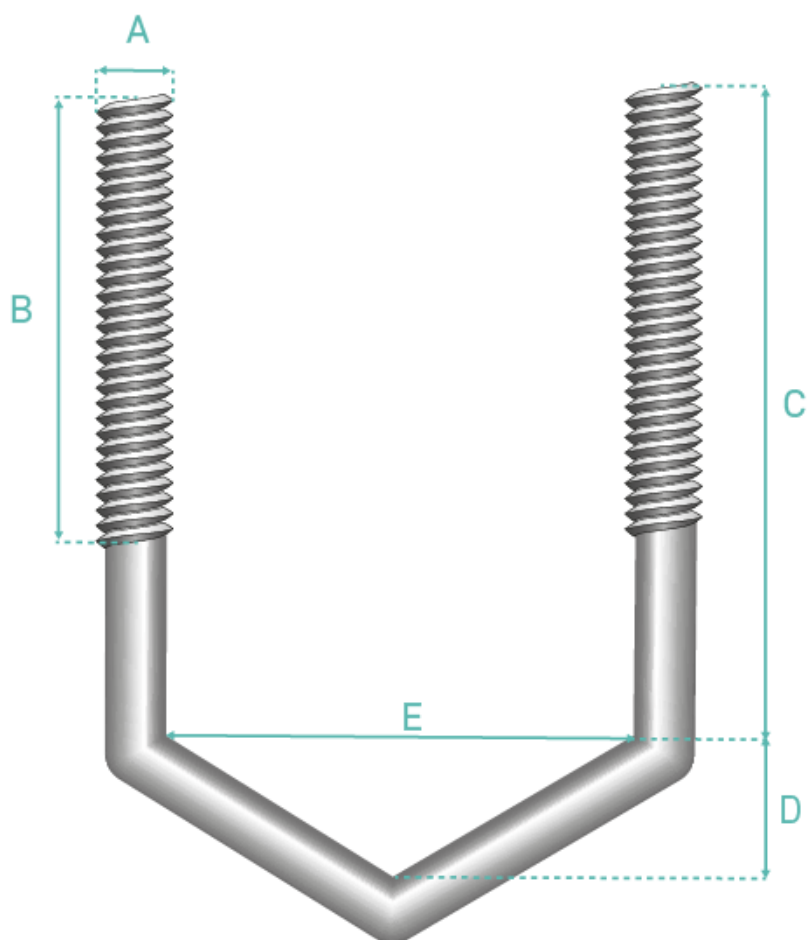


Bespoke Part Template

V Bolt

Quotation will be provided within 2 working days.
Bespoke parts are subject to minimum order value.

V Bolts are usually used for TV aerials. They also have multiple uses in households, commercial building projects, industrial building applications and towers.



Standard nuts are included
in bags of 100

A _____ mm

B _____ mm

C _____ mm

D _____ mm

E _____ mm

FINISH

- Zinc & Yellow Mild Steel
- Bright Zinc Mild Steel
- Galvanised Mild Steel
- Geomet Mild Steel
- Passivated Stainless Steel A2
- Passivated Stainless Steel A4

QUANTITY _____

ADDITIONAL NOTES

SIGNATURE _____

DATE _____