

# 75SSS

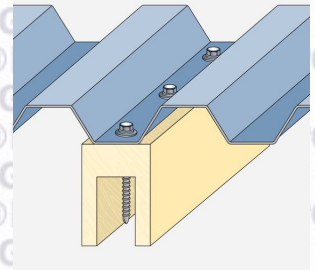
FOR FASTENING MAX 2 X 0.75MM SHEETS TO TIMBER



## PROPERTIES

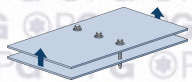


MATERIAL	STAINLESS STEEL A2 - 304 GRADE
COATING	500 HRS (SILVER)
HEAD TYPE	HEX
DRILL POINT	GASH PT
EFFECTIVE THREAD LENGTH	71.00
RECOMMENDED DRILL BIT/SOCKET	SOCKET-HEX-5/16"RING
RECOMMENDED DRILL SPEED	1500 - 2500 RPM



## PERFORMANCE

### PULL OUT



STEEL THICKNESS (MM)	15mm timber	25mm timber	35mm timber	N/A	N/A
VALUE (kN)	1.14	2.60	4.34		

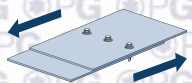
Grade of material: C16 Timber

### PULL OVER



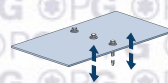
WASHER	16MM x 2MM		19MM x 2MM	
SHEET THICKNESS (MM)	0.50	0.70	0.50	0.70
VALUE (kN)				

### SHEAR



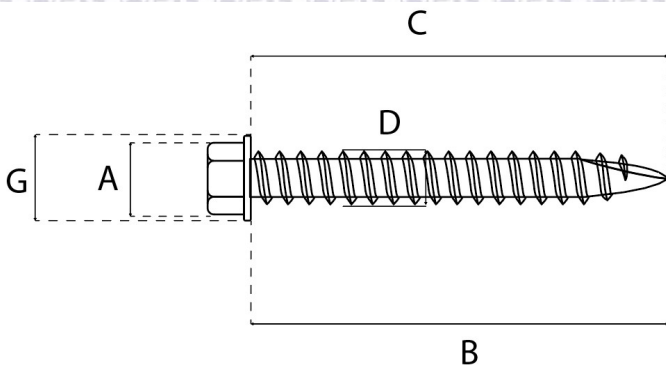
VALUE (kN)	11.39
------------	-------

### TENSILE



VALUE (kN)	17.00
------------	-------

## DIMENSIONS



A (MM)	8.71
B (MM)	75.00
C (MM)	75.00
D (MM)	6.30
E (MM)	N/A
F (MM)	N/A
G (MM)	12.60